

TRI-BAND IN-BUILDING ANTENNAS

Comprod In-building antennas are designed to provide excellent coverage solutions in order for external Public Safety Radio Frequencies to propagate within buildings, tunnels or public use environments.

Our antennas can cover single or multiple frequency bands. We offer a wide variety of antennas with Fire Retardant 6200 Kydex radomes. These materials are designed for In-building applications and inside public transport vehicles such as underground trains, vans, buses and trains. They meet the recommended fire safety practices of both the Federal Transit Administration (FTA) and the Federal Rail Administration (FRA) for smoke emission and flammability as tested under ASTM E-662 and ASTM E-162.

The F-3741 has been designed for mounting with a ground plane on a concrete surface. This is a requirement for meeting full bandwidth specifications. Polycarbonate tubing is used for the radome on the F-3741. It's a flame resistant and self-extinguishing material.

The F-3749 Antenna is available in custom colors for orders of 150 or more.



F-3749

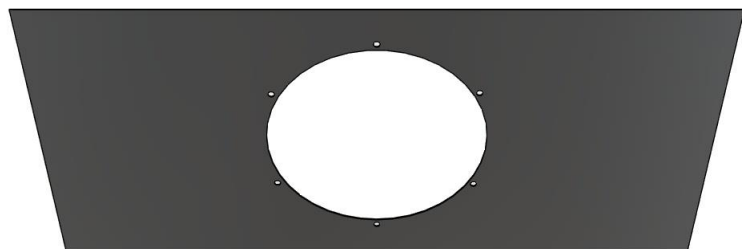
Electrical Specifications	F-3741	F-3749	F-3749A
Frequency Range, MHz	VHF / UHF / 760-960	VHF / UHF / 760-960	VHF / UHF / 760-960
Nominal Gain	Unity	Unity	Unity
Bandwidth: 2.0:1 VSWR, MHz			
138-174	8	8	8
406-512	64	64	64
764-890	126	126	126
806-960	154	154	154
1800-1990	n/a	n/a	n/a
2400-3000	n/a	n/a	n/a
Polarization	Vertical	Vertical	Vertical
Pattern	Omnidirectional	Omnidirectional	Omnidirectional
Power Rating, Watts Total	50	50	50
Nominal Impedance, Ohms	50	50	50
Radome	Polycarbonate	6200 Kydex	6200 Kydex
Mean Time Between Failure, Hours	87,000	87,000	87,000
Color	Black	White	White
Standard Termination	N Male	N Female	2 foot jumper to N Male
Mechanical Specifications	F-3741	F-3749	F-3749A
Length, inch (mm)	11.25 (286.88)	9.78 (249)	9.78 (249)
Diameter, inch (mm)	0.65 (16.575)	7.0 (178.5)	7.0 (178.5)
Weight, lbs (kg)	N/A	4 (1.8)	4 (1.8)
Required Minimum Ground Plane Size, in	Included (Required)	14 x 14 (357 x 357)	14 x 14 (357 x 357)

TRI-BAND ANTENNAS

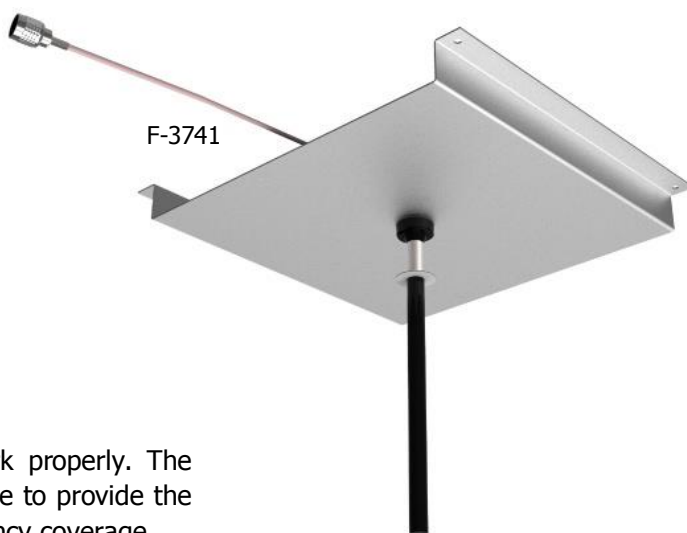
F-3749 Top and Underside View



F-3749A Top and Underside View



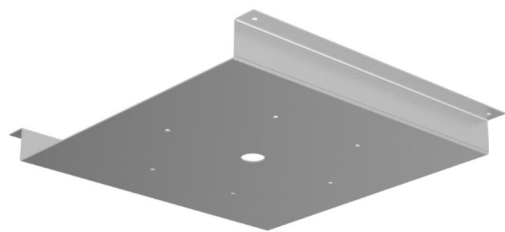
F-33159 Mounting Bracket



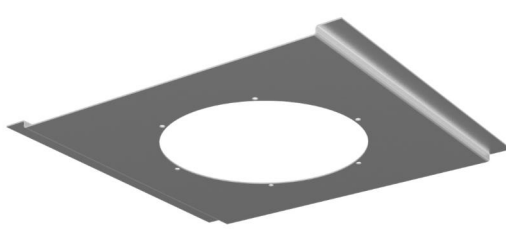
F-3741

Comprod In-building antennas require a ground plane to work properly. The minimum ground plane size is specified for each antenna. Failure to provide the ground plane may result in poor propagation and/or poor frequency coverage.

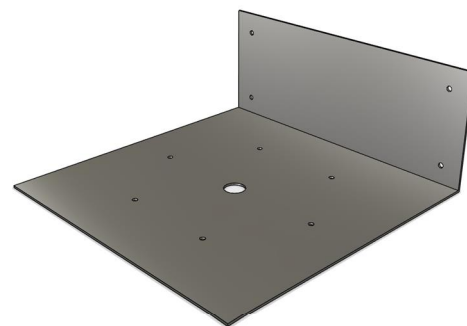
Specifications	F-33034	F-33220	F-33135	F-33203	F-33159	F-33105
Fits Antennas	F-3749/A	F-3749	F-3749/A	F-3749/A	F-3749/A	F-3749/A
Ground Plane in	14x14	14x14	24x48	24x24	12x26	14x14
Included with Antenna	No	No	No	No	No	No
Length, in	16?	16?	24	24	12	14
Width, in	14	14	48	24	26	14x5.625



F-33034 Mounting Bracket



F-33220 Mounting Bracket



F-33105 Mounting Bracket