

UHF IN-BUILDING ANTENNAS

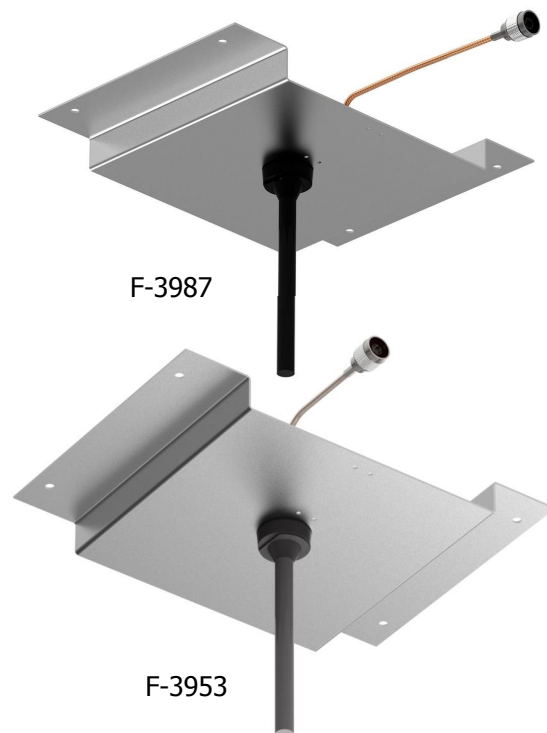
Comprod In-building antennas are designed to provide excellent coverage solutions in order for external Public Safety Radio Frequencies to propagate within buildings, tunnels or public use environments.

Our antennas can cover single or multiple frequency bands.

We offer a wide variety of antennas with Fire Retardant 6200 Kydex radomes. These materials are designed for In-building applications and inside public transport vehicles such as underground trains, vans, buses and trains. They meet the recommended fire safety practices of both the Federal Transit Administration (FTA) and the Federal Rail Administration (FRA) for smoke emission and flammability as tested under ASTM E-662 and ASTM E-162.

Our antennas have been installed worldwide and provide RF coverage inside nuclear power plants, correctional institutions, tunnels, high-rise buildings, subways, shopping malls, parking garages, power plants, high-security office networks and mine shafts.

Note: Add "NGP" to part number to order without the ground plane.



Electrical Specifications	F-3987	F-3953
Frequency Range, MHz	380-470	406-470 / 450-512
Nominal Gain	Unity	Unity
Bandwidth: 2.0:1 VSWR, MHz	90	64
Polarization	Vertical	Vertical
Pattern	omnidirectional	omnidirectional
Power Rating, Watts	150	50
Nominal Impedance, Ohms	50	50
Material	Aluminium painted	Aluminum painted
Color	Black or White	Black or White
Standard Termination	N Male	N Male

Mechanical Specifications	F-3987	F-3953
Max. Length, in (mm)	6.75 (171)	7.0 (178.5)
Diameter, in (mm)	0.5 (12.75)	0.625 (15.93)
Weight, lbs. (kg)	N/A	N/A
Required Minimum Ground Plane Size, in (mm)	8 x 8 (203 x 203)	8 x 8 (203 x 203)
Mounting Hardware	Ground Plane Included	Ground Plane Included