

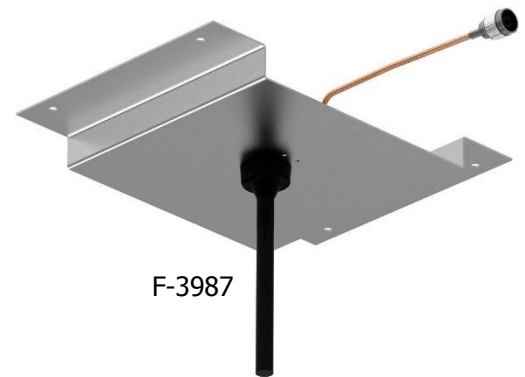
Our In-building antennas are designed to provide excellent coverage solutions in order for external Public Safety Radio Frequencies to propagate within buildings, tunnels or public use environments.

Our antennas can cover single or multiple frequency bands.

We offer a wide variety of antennas with Fire Retardant 6200 Kydex radomes. These materials are designed for In-building applications and inside public transport vehicles such as underground trains, vans, buses and trains. They meet the recommended fire safety practices of both the Federal Transit Administration (FTA) and the Federal Rail Administration (FRA) for smoke emission and flammability as tested under ASTM E-662 and ASTM E-162.

Our antennas have been installed worldwide and provide RF coverage inside nuclear power plants, correctional institutions, tunnels, high-rise buildings, subways, shopping malls, parking garages, power plants, high-security office networks and mine shafts.

| Electrical Specifications | F-3987 | F-3953 |
|---|-----------------------|---------------------------|
| Frequency Range, MHz | 380-470 / 450-512 | 380-470 / 450-512 |
| Nominal Gain | Unity | Unity |
| Bandwidth: 2.0:1 VSWR, MHz | 90 | 90 |
| Polarization | Vertical | Vertical |
| Pattern | Omnidirectional | Omnidirectional |
| Power Rating, Watts | 150 | 50 |
| Nominal Impedance, Ohms | 50 | 50 |
| Radome | Aluminium Painted | Aluminium Painted |
| Color | Black / White | Black / White |
| Standard Termination | N Male | NMO |
| Mechanical Specifications | F-3987 | F-3953 |
| Max. Length, in (mm) | 6.75 (171) | 7.0 (178.5) |
| Diameter, in (mm) | 0.5 (12.75) | 0.625 (15.93) |
| Weight, lbs (kg) | N/A | N/A |
| Required Minimum Ground Plane Size, in (mm) | 8 x 8 (203 x 203) | 8 x 8 (203 x 203) |
| Mounting hardware | Ground Plane Included | Ground Plane Not Included |



F-3987



F-3953