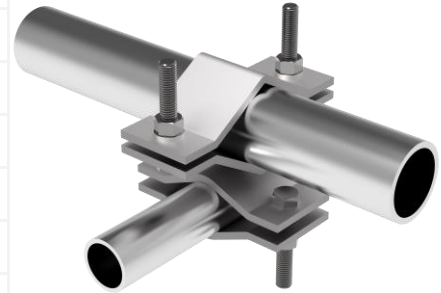


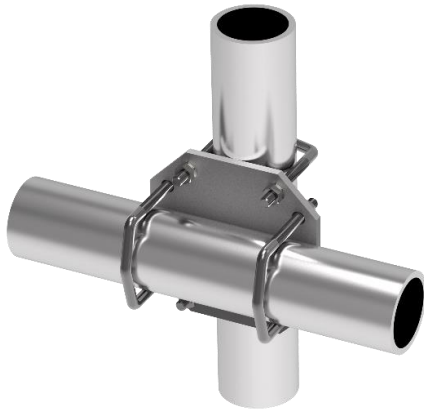
90° PIPE-TO-PIPE

Model	1st Pipe	2nd Pipe	Clamp Material	Screw Material
110-85	1.5" to 3.5" dia.	2.25" to 5" dia.	Steel HDG	Steel HDG
110R-85	1.5" dia.	2.25" to 5" dia.	Steel HDG	Steel HDG
115-85	1.5" to 3.5" dia.	1.5" to 3.5" dia.	Steel HDG	Steel HDG
115R-85	1.5" dia.	1.5" to 3.5" dia.	Steel HDG	Steel HDG
124-85	1" to 2.4" dia.	1" to 2.4" dia.	Aluminum	Steel HDG
127-85	1" dia.	1" to 2.4" dia.	Aluminum	Steel HDG
132-85	1.9" dia.	1" dia.	Aluminum Cast	Stainless Steel
134-85	1.5" dia.	0.75" dia.	Aluminum Cast	Stainless Steel
171-85	1.9" dia.	1.9" dia.	Aluminum Cast	Steel HDG
181-85	1.5" dia.	1" to 2.4" dia.	Aluminum	Steel HDG
185-85	1.9" dia.	1.5" dia.	Aluminum Cast	Steel HDG

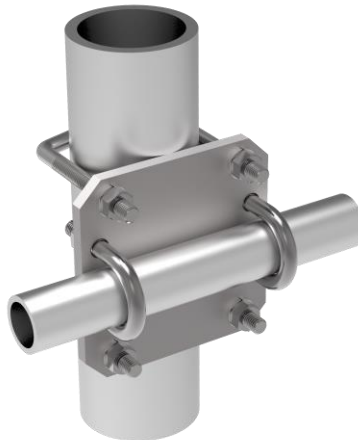
HDG=Hot Dip Galvanized



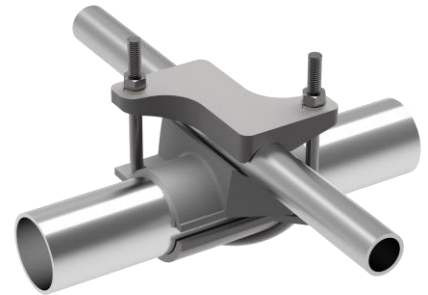
110-85
110R-85
115-85
115R-85



124-85



127-85



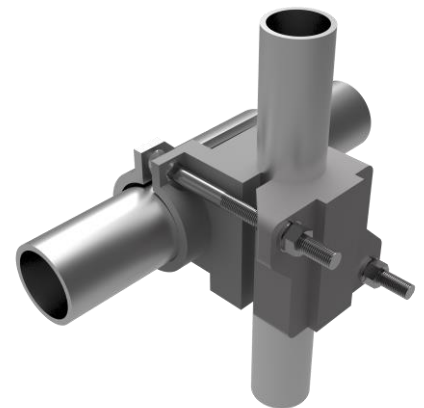
132-85
171-85



134-85



181-85



185-85