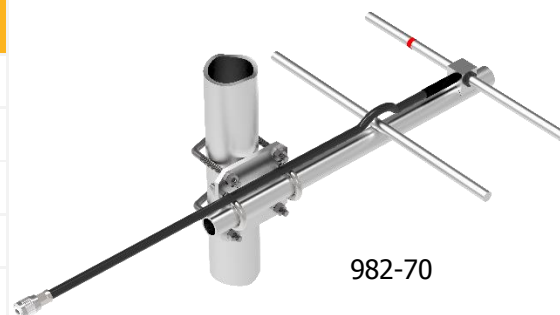


### 980 Yagi Antennas Series

The 980 Yagi Antenna Series are available in 2, 3, 7, 12 element configurations. All our antennas can be completely customized to your particular applications. Our antennas can be black anodized, vertically or horizontally polarized.

- Each antenna has a rugged design to withstand harsh environmental conditions.
- The mounting hardware supplied will permit either vertical or horizontal polarization.
- All 980 Series Yagi antennas are fully welded.
- Heavy-duty versions are available. Please contact our Technical Support team for consultation.

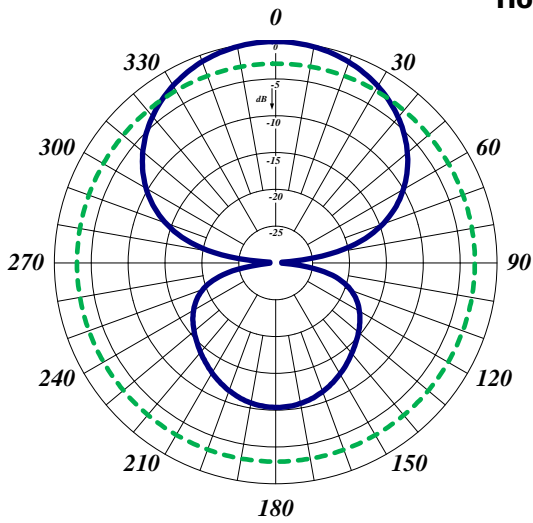
Electrical Specifications	982-70
Frequency Range, MHz	900-930
Nominal Gain, dBd	3.5
Number of Elements	2
Bandwidth 1.5:1 VSWR, MHz (Ctr. Freq.%)	30
Polarization	Vert. or Horiz.
Horizontal Beamwidth (Horizontal Pol.)	128°
Vertical Beamwidth (Horizontal Pol.)	66°
Front to Back, dB	9
Pattern	Directional
Power Rating, Watts	200
Nominal Impedance, Ohms	50
Standard Termination	Type N Male
Mechanical Specifications	982-70
Length, in (mm)	11 (280)
Width (1/2 Wave Spacing), in (mm)	6.5 (165)
Weight, lbs. (kg)	1.7 (0.76)
Rated Wind Velocity, No Ice, mph (km/h)	160 (257)
Rated Wind Velocity, 0.5" (13mm) ice, mph (km/h)	120 (193)
Lateral Thrust @ 100 mph, wind, lbs.(kg)	2.6 (1.2)
Projected Area, ft <sup>2</sup> (m <sup>2</sup> )	0.10 (0.009)
Mounting Hardware Included	127-85 Clamp
Order Information	Frequency
982-70	900-930 MHz



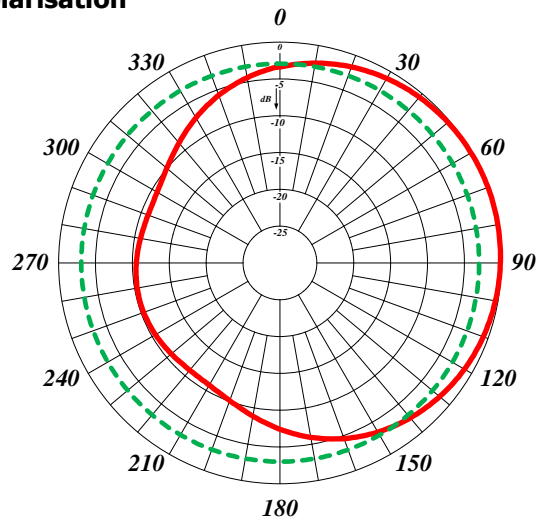
982-70

\*Call for more options\*

Horizontal Polarisation

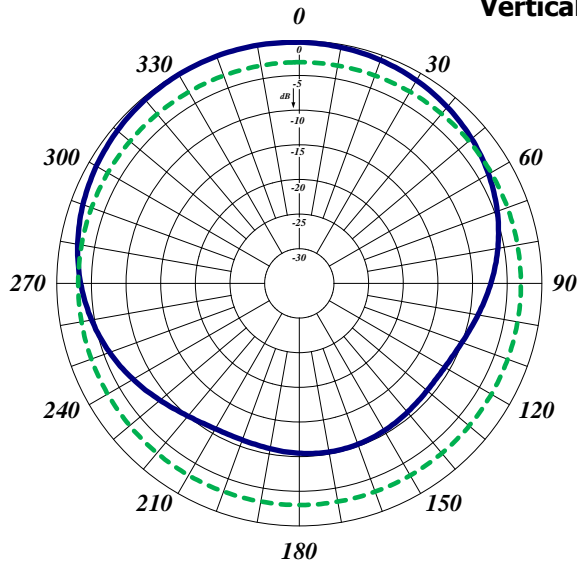


Horizontal Radiation Pattern

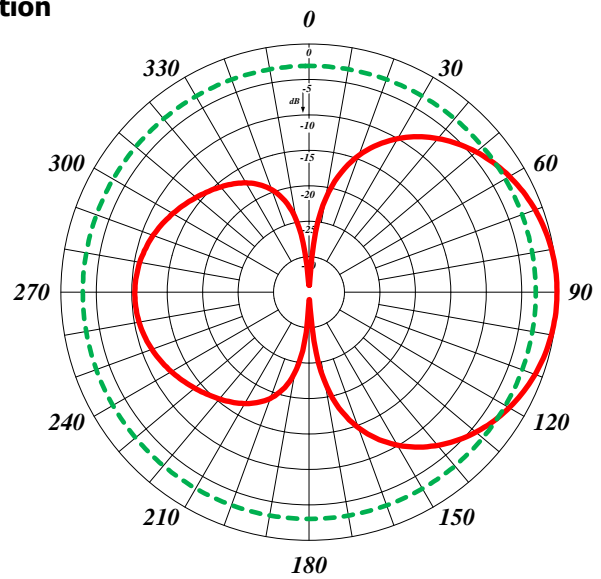


Vertical Radiation Pattern

Vertical Polarisation



Horizontal Radiation Pattern



Vertical Radiation Pattern