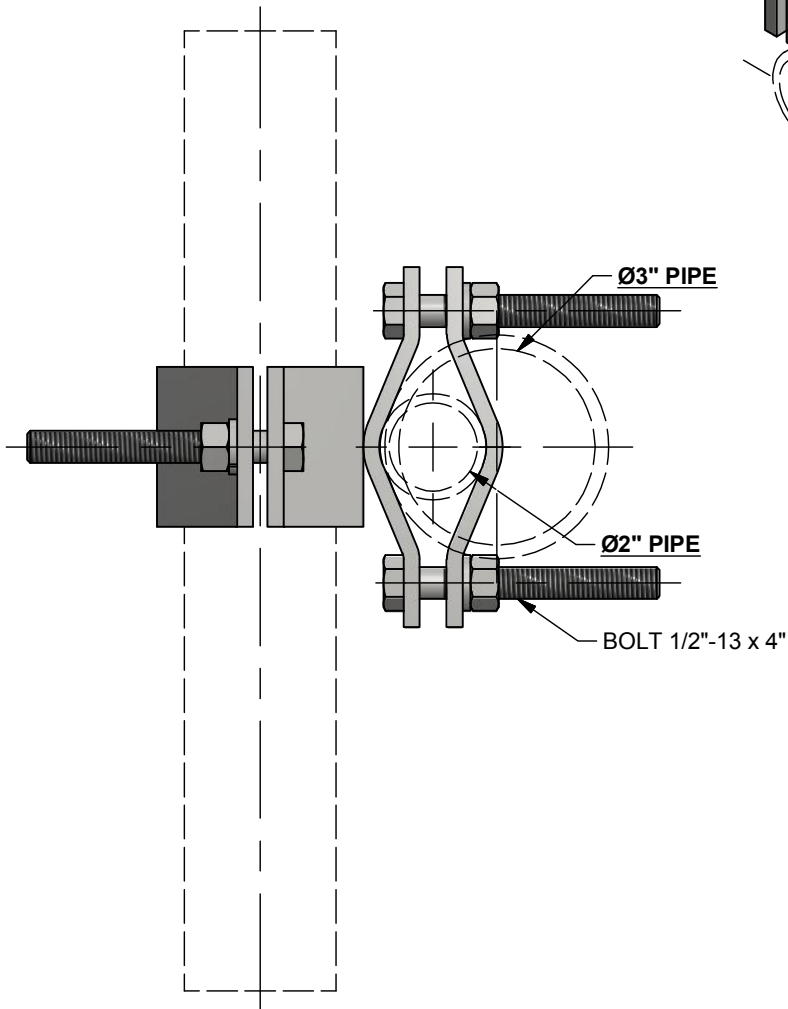
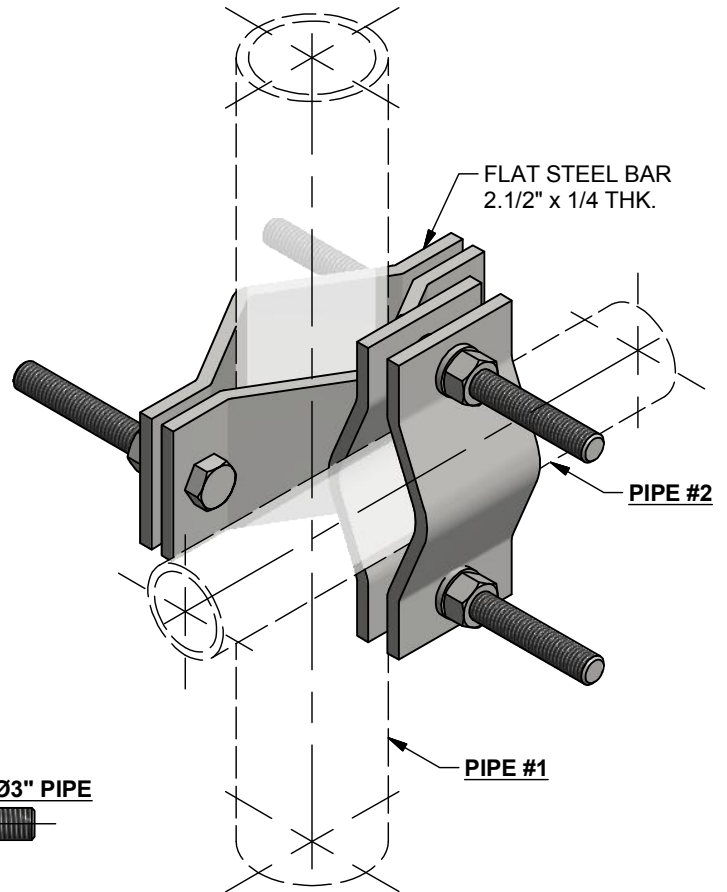
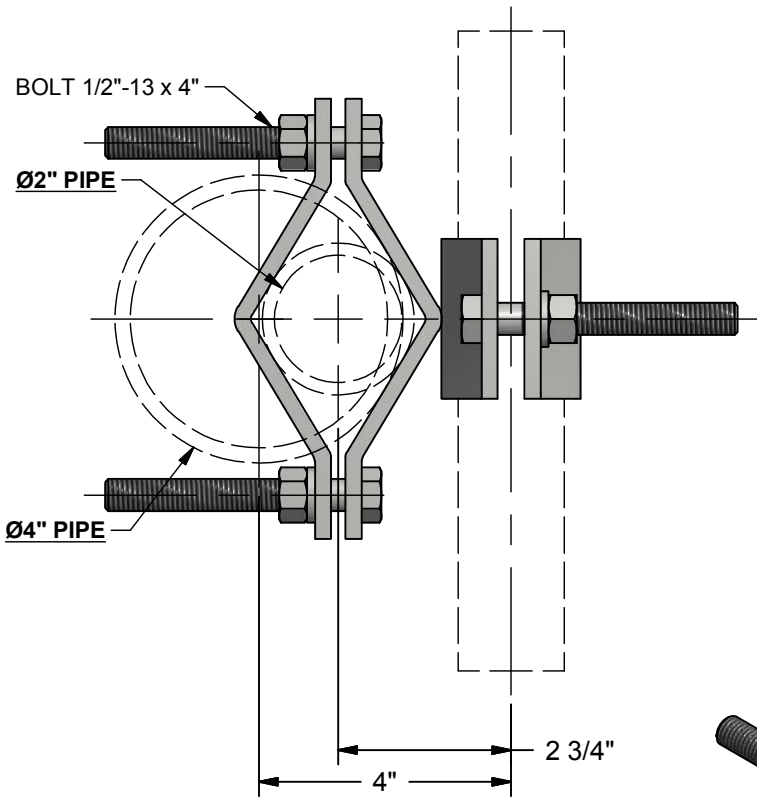


NOTE :

ADJUSTABLE :

PIPE #1 FROM 2.3/8" O.D. TO 4.1/2" O.D.

PIPE #2 FROM 1.1/4" O.D. TO 3.1/2" O.D.



| | | |
|-------------|--------------------|------------|
| TITLE | CLAMP MODEL 110-85 | |
| DRAWING NO. | C-44168 | |
| Drawn by | Approved by | Date |
| G.M | L.R | 05-06-2015 |