

BASE STATION ANTENNAS

220 MHz CORNER REFLECTOR

215-225 MHz



220MHz Corner Reflector Antenna Series

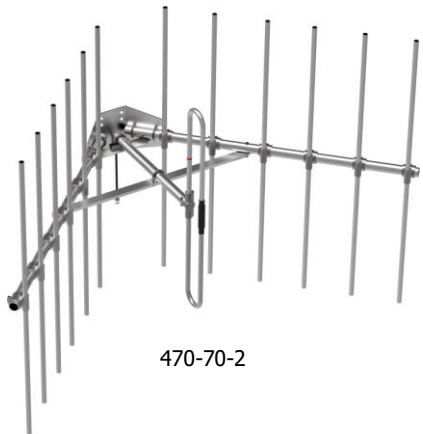
The Corner Reflector Antennas are available in 220 MHz configurations. These antennas have a very high front-to-back ratio. They are broadband and are ideal for point-to-point applications. Performance is constant throughout the band.

- Each antenna has a rugged design to withstand harsh environmental conditions.
- Single or Dual Dipole mounted in the front of a 90° reflector, providing good directivity.
- These antennas have ultra-low VSWR ratings and will not exceed 2.0:1 VSWR ratio with 0.5" of radial ice.
- The supplied mounting hardware allows either vertical or horizontal polarization. DC ground for lightning protection. Heavy-duty versions are available.
- This antenna is available in Low-PIM (-150 dBc; two 20W carriers).
- Please contact our Technical Support team for consultation.

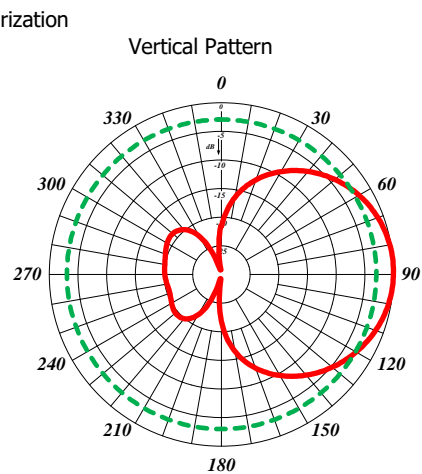
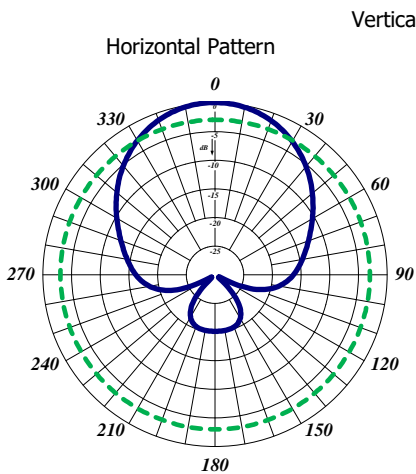
Electrical Specifications	470-70-2	470-70-2HD	471-70-2
Frequency Range, MHz	215-225	215-225	215-225
Nominal Gain, dBd	7.0	7.0	10.0
Bandwidth: 1.5:1 VSWR, MHz	10	10	10
Polarization	Vertical or Horizontal		
Horizontal Beamwidth (Vert. Pol.)	67°	67°	50°
Vertical Beamwidth (Vert. Pol.)	75°	75°	66°
Front to Back, dB	30	30	30
Pattern	Directional		
Power Rating, Watts	250	250	250
Nominal Impedance, Ohms	50	50	50
Lightning Protection	DC Ground		
Standard Termination	Type N Male for standard version – DIN 7/16 or 4.3/10 for Low-PIM version		
Mechanical Specifications	470-70-2	470-70-2HD	471-70-2
Length, in (mm)	48 (1219)	48 (1219)	72 (1829)
Width, in (mm)	75 (1905)	75 (1905)	120 (3048)
Weight, lbs. (kg)	39 (17.7)	57 (25.8)	55 (30)
Rated Wind Velocity, No Ice, mph (km/h)	100 (161)	140 (225)	100 (161)
Rated Wind Velocity, 0.5" (13mm) ice, mph (km/h)	85 (137)	100 (161)	85 (137)
Lateral Thrust @ 100 mph, wind, lbs. (kg)	144 (65)	236 (107)	320 (145)
Projected Area, ft ² (m ²)	5.3 (0.5)	8.8 (0.82)	11.9 (1.10)
Mounting Hardware Included	172-85 Clamp	172-85 Clamp	172-85 Clamp



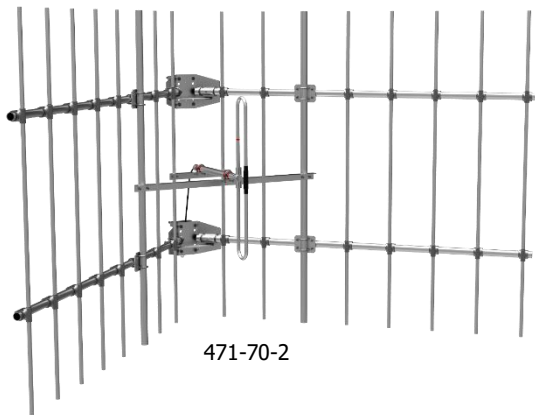
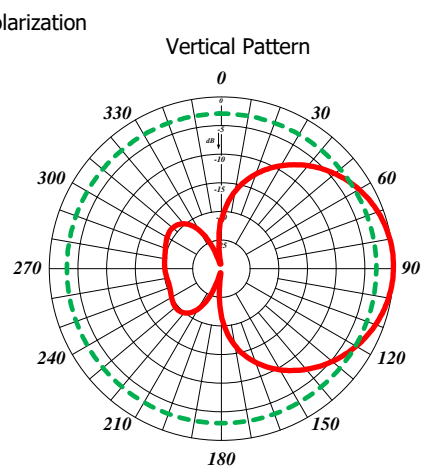
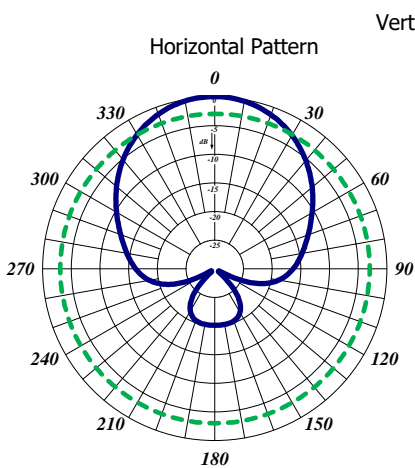
470-70-2HD



470-70-2



470-70-2HD



471-70-2

