

BASE STATION ANTENNAS

VHF CORNER REFLECTOR



138-174 MHz

VHF Corner Reflector Antenna Series

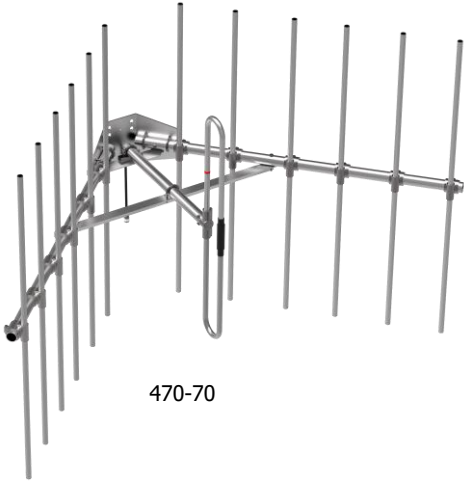
The Corner Reflector Antennas are available in VHF configurations, in addition these antennas have a very high front-to-back ratio. They are broadband and ideal for point-to-point applications. Performance is constant throughout the band.

- Each antenna has a rugged design to withstand harsh environmental conditions.
- Single dipole mounted in the front of a 90° reflector, providing good directivity.
- These antennas have ultra-low VSWR ratings and will not exceed 2.0:1 VSWR ratio with 0.5" of radial ice.
- The mounting hardware supplied allows either vertical or horizontal polarization.
- DC ground for lightning protection. Heavy-duty versions are available.
- This antenna is available in Low-PIM (-150 dBc; two 20W carriers).
- Please contact our Technical Support team for consultation.

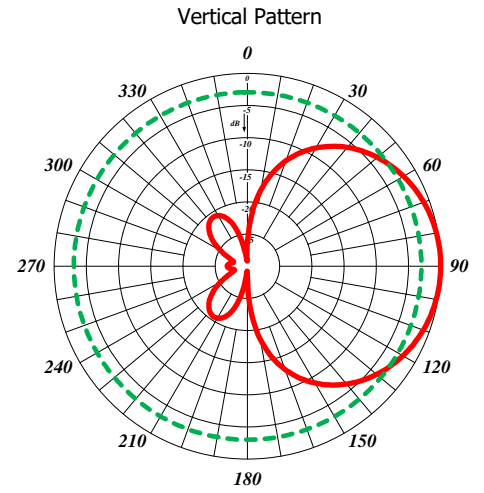
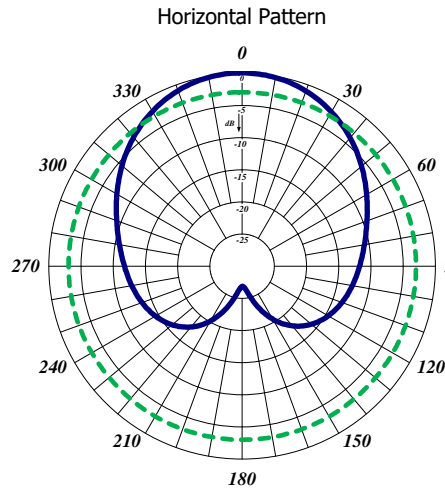
Electrical Specifications	470-70	470-70-HD	471-70	471-70-HD
Frequency Range, MHz	138-174	138-174	138-174	138-174
Nominal Gain, dBd	7.0	7.0	10.0	10.0
Bandwidth: 1.5:1 VSWR, MHz	36	36	36	36
Polarization ^{426-70-R}	Vertical or Horizontal			
Horizontal Beamwidth (Vert. Pol.)	67°	67°	50°	50°
Vertical Beamwidth (Vert. Pol.)	75°	75°	66°	66°
Front to Back, dB	30	30	30	30
Pattern	Directional			
Power Rating, Watts	250	250	250	250
Nominal Impedance, Ohms	50	50	50	50
Lightning Protection	DC Ground			
Standard Termination	Type N Male for standard version – DIN 7/16 or 4.3/10 for Low-PIM version			
Mechanical Specifications	470-70	470-70-HD	471-70	471-70-HD
Length, in (mm)	48 (1219)	48 (1219)	72 (1829)	72 (1829)
Width, in (mm)	75 (1905)	75 (1905)	120 (3048)	120 (3048)
Weight, lbs. (kg)	39 (17.7)	57 (25.8)	66 (30)	72 (32.7)
Rated Wind Velocity, No Ice, mph (km/h)	100 (61)	140 (225)	100 (61)	140 (225)
Rated Wind Velocity, 0.5" (13mm) ice, ^{490-70-HDR} mph (km/h)	85 (137)	100 (161)	85 (137)	100 (161)
Lateral Thrust @ 100 mph, wind, lbs.	144 (65)	236 (107)	320 (145)	398 (181)
Projected Area, ft ² (m ²)	5.3 (0.5)	8.8 (0.82)	11.9 (1.10)	14.8 (1.38)
Mounting Hardware Included	173-85 Clamp	173-85 Clamp	173-85 Clamp	173-85 Clamp



470-70-HD



Vertical Polarization



Vertical Polarization

