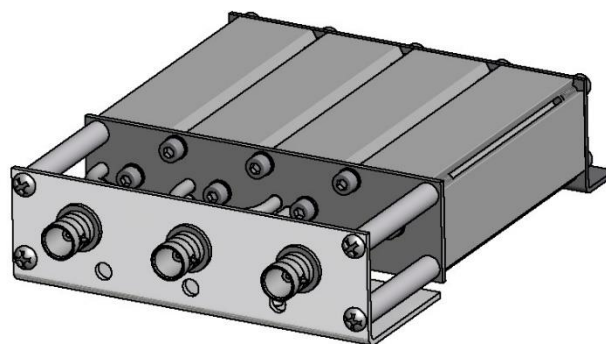


544-90*3

The Comprod 544-90*3 is a 1 inch 4 cavity UHF compact size mobile duplexer. Featuring low loss and temperature compensation over the range of -22 F to +140 F. The use of extruded aluminum cavities and solid shield copper jacketed inter-cabling assure excellent mechanical and electrical stability.

- All units are field tunable and rated at 50 watts continuous duty with a maximum VSWR of 1.5: 1 over the entire tuning range.
- BNC connectors are standard.
- Variations on connectors and mountings are available on special order.

| Electrical Specifications | 544-90*3 |
|-----------------------------------|---------------|
| Frequency Range, MHz | 896-960 |
| Frequency Spacing Min., MHz | 45 |
| Cavity Number | 4 |
| Cavity Diameter, in | 1.0 |
| Max Continuous Power Input, Watts | 50 |
| Termination | BNC- Female |
| Insertion Loss, dB | |
| TX to Antenna | 0.8 |
| RX to Antenna | 0.8 |
| Channel Isolation, dB | |
| TX noise suppression at RX | 60 |
| RX isolation at TX | 60 |
| Max. Input VSWR (Ref. 50 Ohm) | 1.5:1 |
| Temperature Range, °C | -30° to +60°C |
| Mechanical Specifications | 544-90*3 |
| Height, in (mm) | 1.25 (31.8) |
| Width, in (mm) | 4.093 (104) |
| Depth, in (mm) | 5.6875 (145) |
| Weight, lbs (kg) | 1 (0.454) |
| Mounting Information | Shelf/Mobile |



FILTERS AND RF COMPONENT

