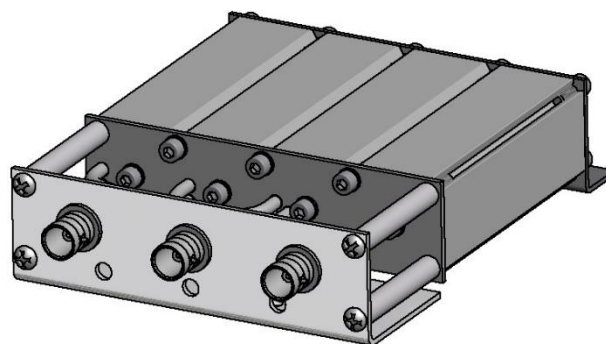


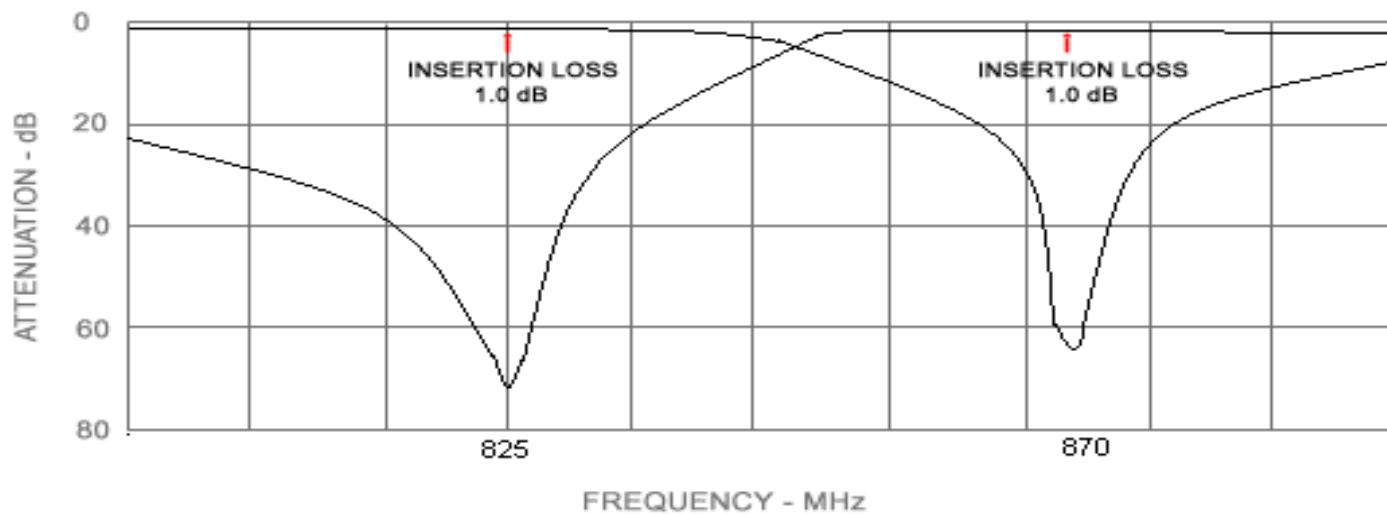
**544-90**

The Comprod 544-90 is a 1 inch 4 cavity UHF compact size mobile duplexer. Featuring low loss and temperature compensation over the range of -22 F to +140 F. The use of extruded aluminum cavities and solid shield copper jacketed inter-cabling assure excellent mechanical and electrical stability.

- All units are field tunable and rated at 50 watts continuous duty with a maximum VSWR of 1.5: 1 over the entire tuning range.
- BNC connectors are standard.
- Variations on connectors and mountings are available on special order.

Electrical Specifications	544-90
Frequency Range, MHz	806-896
Frequency Spacing Min., MHz	45
Cavity Number	4
Cavity Diameter, in	1.0
Max Continuous Power Input, Watts	50
Termination	BNC- Female
Insertion Loss, dB	
TX to Antenna	0.8
RX to Antenna	0.8
Channel Isolation, dB	
TX noise suppression at RX	60
RX isolation at TX	60
Max. Input VSWR (Ref. 50 Ohm)	1.5:1
Temperature Range, °C	-30° to +60°C
Mechanical Specifications	544-90
Height, in (mm)	1.25 (31.8)
Width, in (mm)	4.093 (104)
Depth, in (mm)	5.6875 (145)
Weight, lbs (kg)	1 (0.454)
Mounting Information	Shelf/Mobile





# FILTERS AND RF COMPONENT

