



Radome Yagi Antennas Series

The Radome Yagi Antenna Series are available in UHF and 700/800/900 MHz configurations. The UHF model is offered with a Fiberglass or PVC Radome. The 700/800/900 MHz model is offered in PVC. All our antennas can be completely customized to your particular applications.

- Each antenna has a rugged design to withstand extreme environmental conditions.
- The mounting hardware supplied supports either vertical or horizontal polarization.
- DC ground for lightning protection.
- The PVC enclosure is 1/2 inch thick.
- The PVC radome models are our Heavy-Duty Versions.
- This antenna is available in Low-PIM (-150 dBc; two 20W carriers).

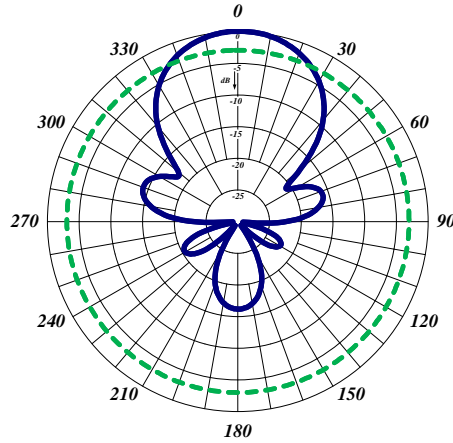


490-70-HDR

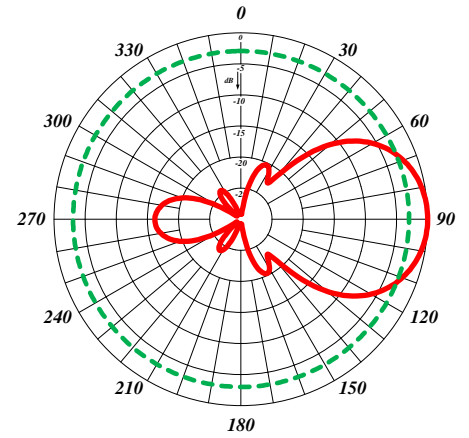
| Electrical Specifications | 425-70-HDR | 426-70-R | 490-70-HDR |
|---|-------------------------------------|--------------|--------------|
| Frequency Range, MHz (in splits) | 406-470 | 406-470 | 746-960 |
| Nominal Gain, dBd | 10 | 10 | 10 |
| Number of Elements | 7 | 7 | 7 |
| Bandwidth: 1.5:1 VSWR, MHz | 20 | 20 | 72 |
| Polarization | Vert./Hor. | | |
| Horizontal Beamwidth (Horizontal Pol.) | 62° | 62° | 56° |
| Vertical Beamwidth (Horizontal Pol.) | 48° | 48° | 42° |
| Front to Back, dB | 20 | 20 | 20 |
| Pattern | Directional | | |
| Power Rating, Watts | 250 | 250 | 150 |
| Nominal Impedance, Ohms | 50 | 50 | 50 |
| Lightning Protection | DC Ground | | |
| Standard Termination | Type N- Female for standard version | | |
| Mechanical Specifications | 425-70-HDR | 426-70-R | 490-70-HDR |
| Length, in (mm) | 31 (787) | 30 (762) | 29 (737) |
| Width, in (mm) | 16 (406) | 16 (406) | 14 (356) |
| Weight, lbs. (kg) | 44 (20) | 19 (8.6) | 28 (12) |
| Radome Material | PVC | Fiberglass | PVC |
| Rated Wind Velocity, No Ice, mph (km/h) | 150 (241) | 120 (193) | 150 (241) |
| Rated Wind Velocity, 0.5" (13mm) ice, mph (km/h) | 105 (169) | 110 (177) | 115 (185) |
| Lateral Thrust @ 100 mph, wind, lbs. (kg) | 69 (31.3) | 61 (27.7) | 47.4 (21.5) |
| Projected Area, ft ² (m ²) | 2.6 (0.24) | 2.3 (0.21) | 1.8 (0.17) |
| Mounting Hardware Included | 173-85 clamp | 173-85 clamp | 173-85 clamp |



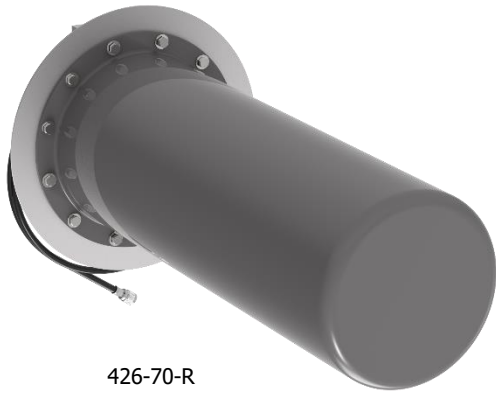
425-70-HDR



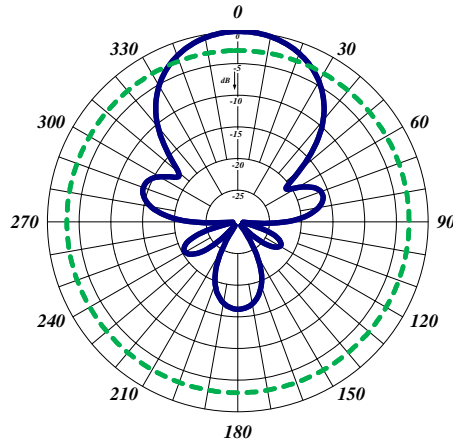
425-70-HDR Horizontal pattern (Vertical Polarization)



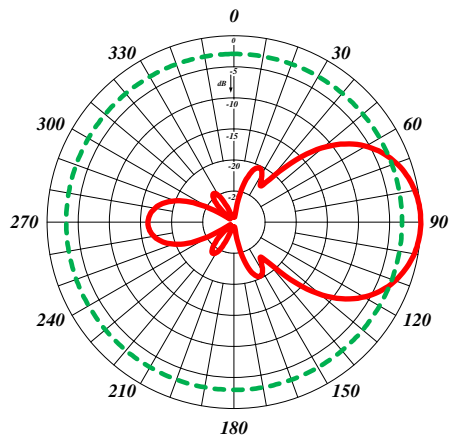
425-70-HDR Vertical Pattern (Vertical Polarization)



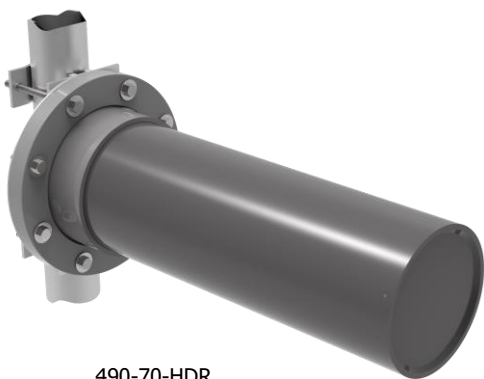
426-70-R



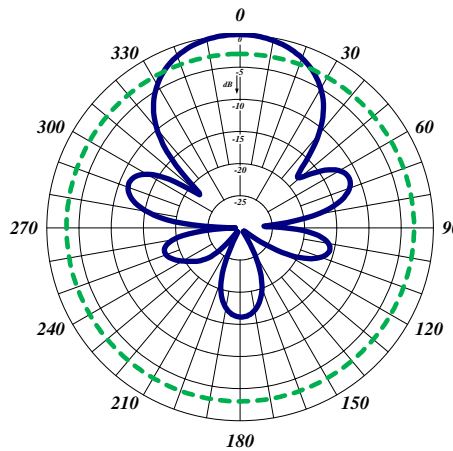
426-70-R Horizontal pattern (Vertical Polarization)



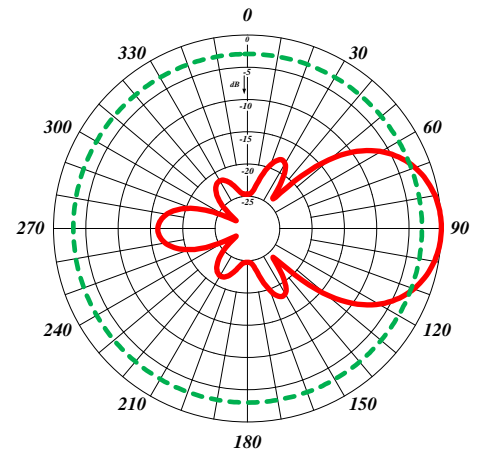
426-70-R Vertical Pattern (Vertical Polarization)



490-70-HDR



490-70-HDR Horizontal pattern (Vertical



490-70-HDR Vertical Pattern (Vertical