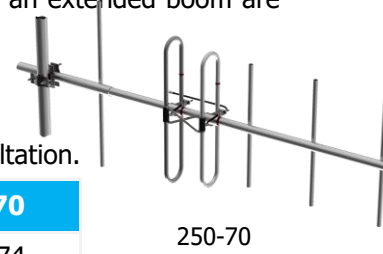




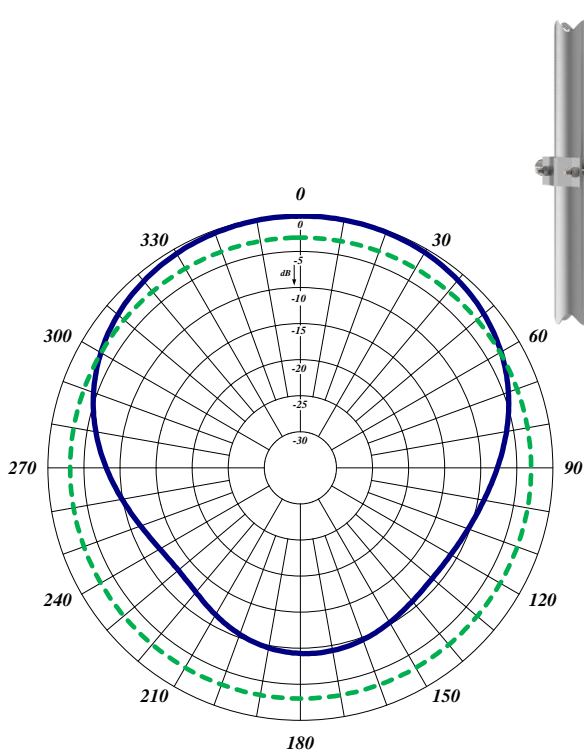
290 Series VHF Yagi Antennas

The 290 Series VHF Yagi Antenna are available in 2, 3, and 6 element configurations. All our antennas can be completely customized to your applications. Our antennas can be black anodized, vertically or horizontally polarized, and heavy-duty versions are available. By default, our Yagi antennas are end mounted. But a center mount or an extended boom are also available for certain models.

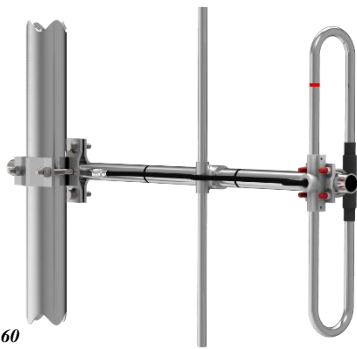
- Each antenna has a rugged design to withstand harsh environmental conditions.
- The mounting hardware supplied will permit either vertical or horizontal polarization.
- Heavy-duty versions are available. Please contact our Technical Support team for consultation.



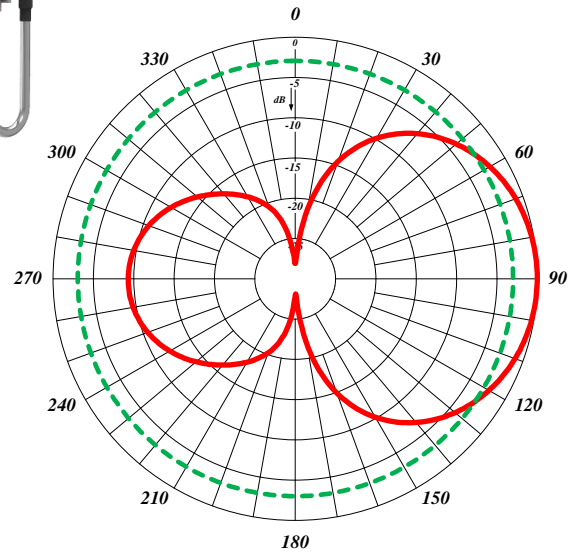
Electrical Specifications	291-70	295-70	290-70	250-70
Frequency Range, MHz (in splits)	138-174	138-174	138-174	138-174
Nominal Gain, dBd	3.5	6.5	9.5	7
Number of Elements	2	3	6	6
Bandwidth 2.0:1 VSWR, MHz (Ctr. Freq. %)	36	4%	4%	36
Polarization	Vertical or Horizontal			
Horizontal Beamwidth (Horizontal Pol.)	140°	90°	62°	80°
Vertical Beamwidth (Horizontal Pol.)	70°	61°	50°	60°
Front to Back, dB	15	12	17	25
Pattern	Directional			
Power Rating, Watts	350	350	350	250
Nominal Impedance, Ohms	50	50	50	50
Lightning Protection	DC Ground			
Standard Termination	Type N Male			
Mechanical Specifications	291-70	295-70	290-70	250-70
Length, in (mm)	50 (1270)	60 (1524)	108 (2743)	104 (2642)
Width, in (mm)	40 (1016)	43 (1092)	42 (1067)	42 (1067)
Weight, lbs. (kg)	4.8 (2.2)	6.5 (2.9)	12.0 (5.4)	12.0 (5.4)
Rated Wind Velocity, No Ice, mph (km/h)	150 (241)	145 (223)	120 (177)	110 (177)
Rated Wind Velocity, 0.5" (13mm) ice, mph	105 (169)	100 (161)	85 (137)	90 (145)
Lateral Thrust @ 100 mph, wind, lbs. (kg)	29 (13)	39 (18)	65 (29)	95 (43)
Mast O.D. in (mm)	1.5 (38.1)	1.5 (38.1)	1.5 (38.1)	1.9 (48.26)
Projected Area, ft ² (m ²)	1.1 (0.10)	1.4 (0.13)	2.4 (0.22)	2.6 (0.24)
Mounting Hardware Included	181-85 Clamp	181-85 Clamp	115-85 Clamp	115-85 Clamp



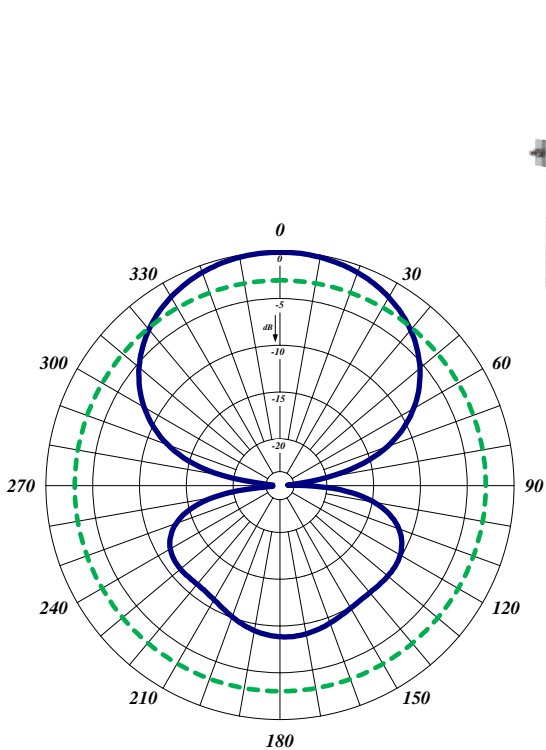
291-70 Horizontal Pattern (Vertical Polarization)



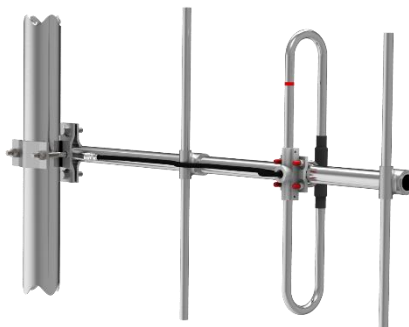
291-70



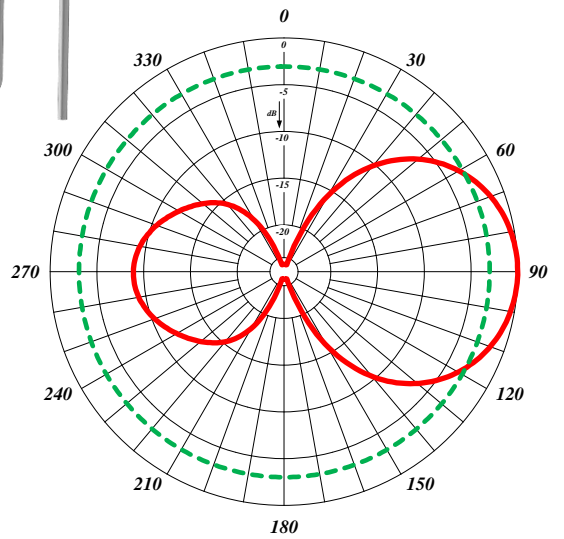
291-70 Vertical Pattern (Vertical Polarization)



295-70 Horizontal Pattern (Vertical Polarization)



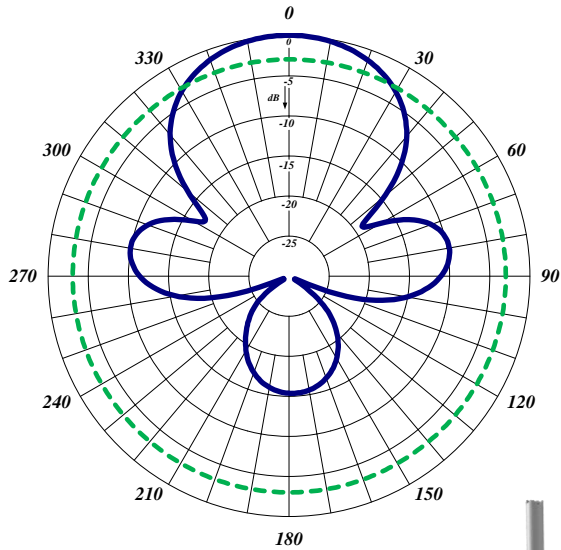
295-70



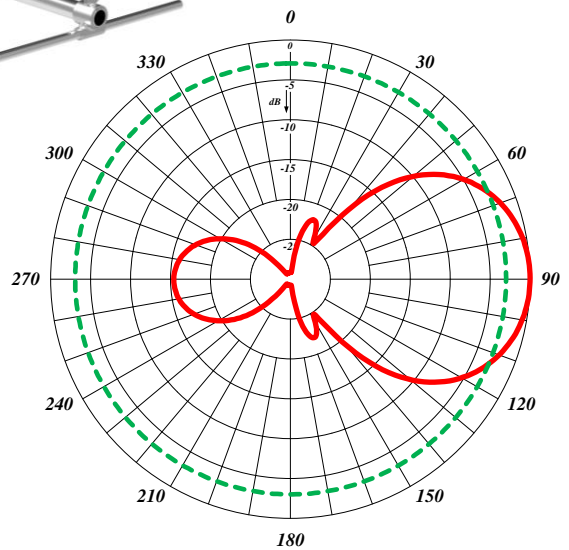
295-70 Vertical Pattern (Vertical Polarization)



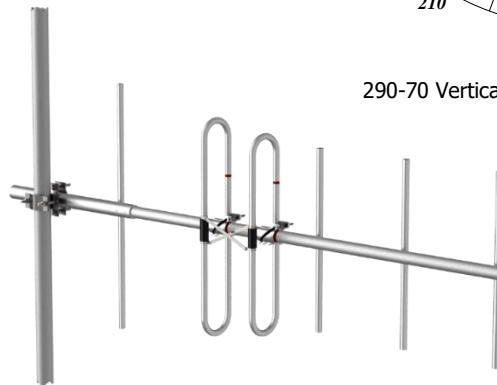
290-70



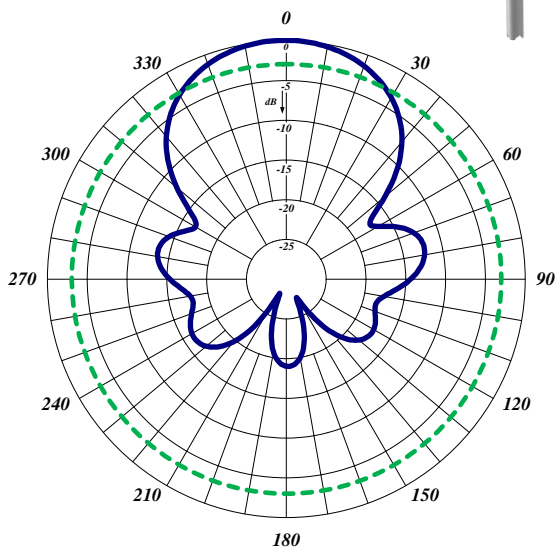
290-70 Horizontal Pattern (Vertical Polarization)



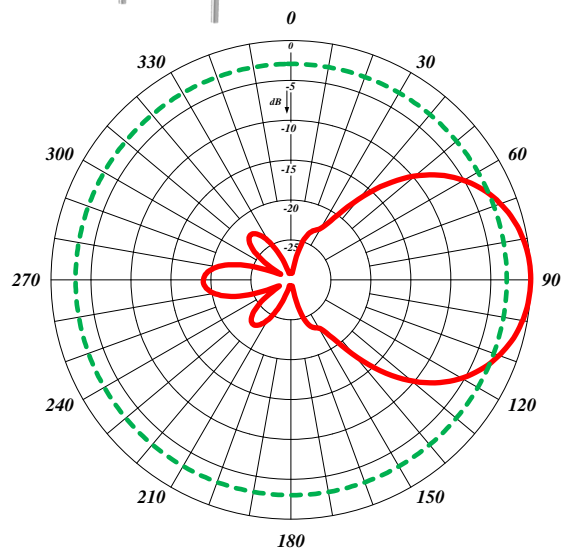
290-70 Vertical Pattern (Vertical Polarization)



250-70



250-70 Horizontal Pattern (Vertical Polarization)



250-70 Vertical Pattern (Vertical Polarization)