

MOBILE ANTENNAS / ACCESSORIES



MGAS 545-75



MGLAS 546-75



547-75



548-75



MMM



TMBM



MMNMO



BSMN

MOBILE ANTENNAS / ACCESSORIES / ADAPTERS

412-75	Stainless Steel Trunk Groove Mounting Bracket (3/8" hole)
412M-75	Stainless Steel Trunk Groove Mounting Bracket (3/4" hole)
435-75	Rubber Hole Plug / 3/8" Hole Diameter
451-75	Universal Base Mount
453-75	Straight Whip (24" Length) + 5/16 - 24 Thread Adapter
455-75	Unity Gain Whip and Base (451-75 + 453-75)
456-75	Cable Kit / 15ft of RG-58U + PL-259 + UG-175U
545-75	Magnet Mount Kit, Motorola Base, 12 ft. RG58A/U, PL-259
546-75	Magnet Mount Kit, 5/16" Stud Mount, 12 ft. RG58A/U, PL-259
547-75	Trunk Mount Kit, Motorola Base, 17 ft. RG58A/U, PL-259
548-75	Trunk Mount Kit, 5/16" Stud Mount, 17 ft. RG58A/U, PL-259
551-75	C-Mount (3/8"-3/4") c/w 17 ft. RG58A/U, PL-259
634-75	Rubber Hole Plug 7/8" Hole Diameter
TMBM	Trunk Mount Stainless Steel
MMNMO	Mirror Mount Kit, Motorola Base, 12 ft. RG-58A/U, PL-259
BSMN	Mirror Mount, Motorola Base, UHF Connector
WAB	Whip Adapter, Black
WAC	Whip Adapter, Chrome
A1001A	Battery Tap (5 Individually packed)



Whip Adapter - Black



Whip Adapter - Chrome



Battery Tap A1001A

MOBILE ANTENNAS / ACCESSORIES

UTBM



Mount Terminates as Mini-UHF.

UTBM-UHF



Mount Terminates as UHF.

UTBM-NM



Mount Terminates as N Female.

UTCR



Terminates as Mini-UHF.

UNIBKT



Mobile-to-base adapter only, includes hose clamps.

BSMO-150



VHF mobile-to-base adapter w/artificial ground plane, Female connector.

BSMO-50



UHF mobile-to-base adapter w/artificial ground plane, N Female connector

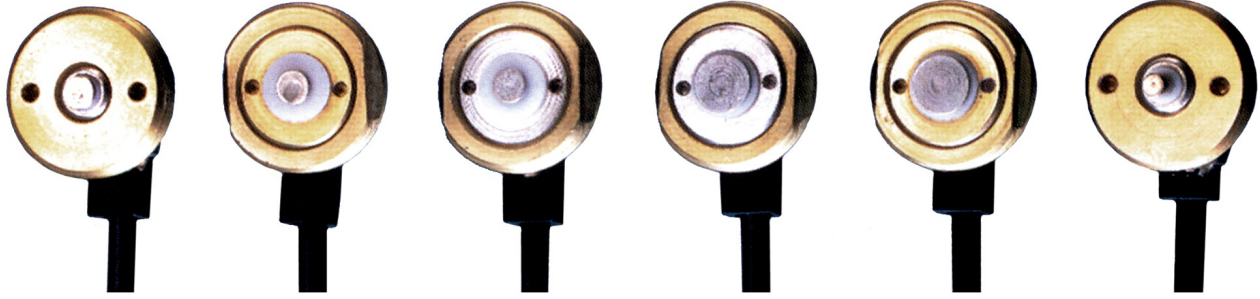
BSMO-800



800-900 mobile-to-base adapter w/artificial ground plane, N Female connector.

MOBILE ANTENNAS / ACCESSORIES

MOBILE MOUNTS



C TYPE
All Brass
3/8"-3/4" Hole

MB TYPE
All Brass
3/4" Hole

M TYPE
Standard
3/4" Hole

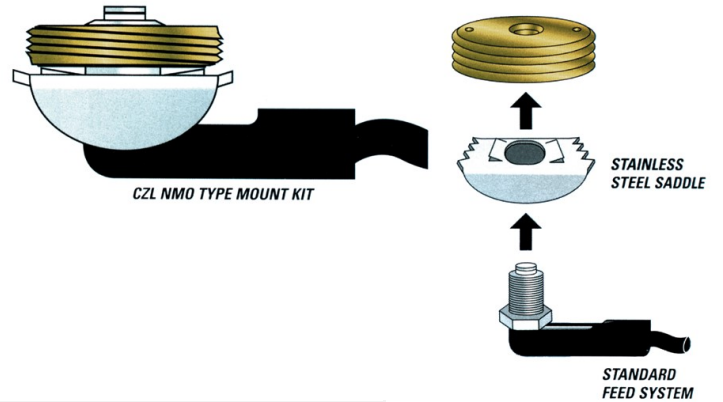
MH TYPE
Standard
Hi Dist Cap

MHB TYPE
All Brass
Hi Dist Cap

ASC TYPE
All Brass
Male/Female

CABLE KITS

Comprod's brass mounts and cable kits are among the best in the industry. The cable kits present a consistent 50 Ohms impedance to match our mobile antennas, ensuring that our customers receive the best combined performance from the antennas and the cable kits. The quality of our designs is one of the factors that allows our wideband models to outperform the competition.



551-75	C	All Brass	3/4-3/8 inch mount only
551A-75	M	Standard	3/4 inch mount only
551B-75	MB	All Brass	3/4 inch mount only
551C-75	MH	Standard	3/4 inch mount only (large contact)
551D-75	MHB	All Brass	3/4 inch mount only (large contact)
551E-75	ASC	All Brass	3/4-3/8 inch k166 type mount

CONNECTORS

We carry and stock a complete line of connectors. Please contact a Comprod technical support technician for additional information.



MOBILE ANTENNAS / ACCESSORIES

RG-58A/U	RG-58/U	MOUNTS WITH 17 Ft OF RG-58A/U STANDARD CENTER OR RG-58/U SOLID CENTER CABLE
551-75CA	551-75CU	C Mount No Connector
551A-75CA	551A-75CU	M Mount No Connector
551B-75CA	551B-75CU	MB Mount No Connector
551E-75CA	551E-75CU	ASC Mount No Connector
551-75CA-01	551-75CU-01	C Mount Crimp TNC
551A-75CA-01	551A-75CU-01	M Mount Crimp TNC
551B-75CA-01	551B-75CU-01	MB Mount Crimp TNC
551E-75CA-01	551E-75CU-01	ASC Mount Crimp TNC
551-75CA-02	551-75CU-02	C Mount Crimp BNC
551A-75CA-02	551A-75CU-02	M Mount Crimp BNC
551B-75CA-02	551B-75CU-02	MB Mount Crimp BNC
551E-75CA-02	551E-75CU-02	ASC Mount Crimp BNC
551-75CA-03	551-75CU-03	C Mount Teflon PL-259
551A-75CA-03	551A-75CU-03	M Mount Teflon PL-259
551B-75CA-03	551B-75CU-03	MB Mount Teflon PL-259
551E-75CA-03	551E-75CU-03	ASC Mount Teflon PL-259
551-75CA-04	551-75CU-04	C Mount Crimp Mini UHF
551A-75CA-04	551A-75CU-04	M Mount Crimp Mini UHF
551B-75CA-04	551B-75CU-04	MB Mount Crimp Mini UHF
551E-75CA-04	551E-75CU-04	ASC Mount Crimp Mini UHF
551-75CA-05	551-75CU-05	C Mount Solder N
551A-75CA-05	551A-75CU-05	M Mount Solder N
551B-75CA-05	551B-75CU-05	MB Mount Solder N
551E-75CA-05	551E-75CU-05	ASC Mount Solder N
551-75CA-06	551-75CU-06	C Mount Crimp PL-259
551A-75CA-06	551A-75CU-06	M Mount Crimp PL-259
551B-75CA-06	551B-75CU-06	MB Mount Crimp PL-259
551E-75CA-06	551E-75CU-06	ASC Mount Crimp PL-259
551-75CA-07	551-75CU-07	C Mount Crimp N
551A-75CA-07	551A-75CU-07	M Mount Crimp N
551B-75CA-07	551B-75CU-07	MB Mount Crimp N
551E-75CA-07	551E-75CU-07	ASC Mount Crimp N

MOBILE ANTENNAS / ACCESSORIES

MOUNTS WITH 12FT OF RG-58A/U CABLE

545-75-01	Magnet Mount with TNC
545-75-02	Magnet Mount with BNC
545-75-03	Magnet Mount with PL-259
545-75-04	Magnet Mount with Mini UHF
545-75-05	Magnet Mount with Type N
545-75-06	Magnet Mount with Crimp UHF
545-75-07	Magnet Mount with Crimp N
546-75-01	Magnet Mount with TNC
546-75-02	Magnet Mount with BNC
546-75-03	Magnet Mount with PL-259
546-75-04	Magnet Mount with Mini UHF
546-75-05	Magnet Mount with Type N
546-75-06	Magnet Mount with Crimp UHF
546-75-07	Magnet Mount with Crimp N

TRUNK MOUNTS WITH 17FT OF RG-58A/U CABLE

	Trunk Mount with TNC
547-75-02	Trunk Mount with BNC
547-75-03	Trunk Mount with PL-259
547-75-04	Trunk Mount with Mini UHF
547-75-05	Trunk Mount with Type N
547-75-06	Trunk Mount with Crimp UHF
547-75-07	Trunk Mount with Crimp N
548-75-01	Trunk Mount with TNC
548-75-02	Trunk Mount with BNC
548-75-03	Trunk Mount with PL-259
548-75-04	Trunk Mount with Mini UHF
548-75-05	Trunk Mount with Type N
548-75-06	Trunk Mount with Crimp UHF
548-75-07	Trunk Mount with Crimp N

MOBILE ANTENNAS / ACCESSORIES**MOUNTING BRACKETS**

TMBC	Stainless Trunk L 3/8 inch Hole (Brite)
TMBM	Stainless Trunk L 3/4 inch Hole (Brite)
TMBCB	Stainless Trunk L 3/8 inch Hole (Black)
TMBMB	Stainless Trunk L 3/4 inch Hole (Black)
MMM	Mirror Mount Bracket
MMCB	Mirror Mount CB with 12 ft. of coax., PL-259
MMCM	Mirror Bracket, C-Mount & 12 ft. Coax.

UNIVERSAL THICK BODY MOUNT

UTBM	Mount Terminates as Mini-UHF, Max. Thickness 5/8 inch Order Cable Kits Separately
------	--

Part #	Description
DBW	Dual Band Whip 0.10
DBWB	Dual Band Whip 0.10, Black
WPDB33	Dual Band Whip Assembly, 4 dBd
WPDB33B	Dual Band Whip Assembly, 4 dBd, Black
QWP	20 inch Stainless Whip 0.10
QWPB	20 inch Stainless Whip 0.10, Black
WPBL125	52 inch Stainless Taper Whip 0.125
WPBL100	52 inch Stainless Taper Whip 0.10
WPBL100B	52 inch Stainless Taper Whip 0.10, Black
EFW	Elevated Feed Whip Assembly
WP85A-X	3.5 dBd Whip Assembly 800 MHz
WP85B-X	3.5 dBd Whip Assembly 800 MHz, Black
WP855A-X	5 dBd Whip Assembly 800 MHz
WP855B-X	5 dBd Whip Assembly 800 MHz, Black
WP45A-X	3.5 dBd Whip Assembly 450 MHz
WP45B-X	3.5 dBd Whip Assembly 450 MHz, Black
WPBL45AX	5 dBd Base Load Whip 450 MHz
WPBL45BX	5 dBd Base Load Whip 450 MHz, Black